

CARLTON 46 & CARLTON 39

DIRECT VENT GAS FIREPLACES

Carlton 46 with a Rectangle Full screen front in
Antique Copper with optional Masonry refractory



QUALITY FIREPLACES FOR LIFE.

KOZY  HEAT
FIREPLACES



Carlton 46 shown with an Arched Mission screen front in Weathered Charcoal and optional Black Enamel refractory

CARLTON SERIES

Safety Screen Fronts

Sizes shown below: Carlton 46 / Carlton 39



No Overlap – Inside Fit

Rectangle Screen Front
with optional Masonry refractory
Available in Black



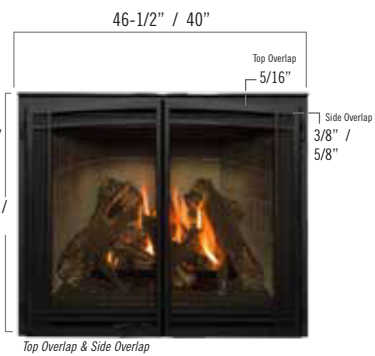
Top Overlap & Side Overlap

Rectangle Full Screen Front
with optional Brick refractory
Available in Black, Brushed Stainless



Top Overlap & Side Overlap

Rectangle Full Screen Front
in Antique Copper Overlay with optional
LedgeStone refractory
Available in Antique Copper,
Brushed Nickel



Top Overlap & Side Overlap

Arched Prairie Full Door
with optional Masonry refractory
Available in Black

Carlton 39 shown with a Rectangle Full screen front and optional Ledge stone refractory



Prairie Screen Front
with optional Masonry refractory
Available in Black, Titanium, Rust



Prairie Screen Front
Titanium with optional Brick refractory
Available in Black, Titanium, Rust



Arched Mission Screen Front
in Vintage Bronze with optional Black Enamel refractory
Available in Vintage Bronze, Weathered Charcoal



Mission Screen Front
in Weathered Charcoal with optional Ledge stone refractory
Available in Vintage Bronze, Weathered Charcoal



Carlton 46 shown with a Prairie screen front and optional Masonry refractory

CARLTON SERIES

Media & Refractory Options



Log Set with optional Traditional Brick Refractory



Log Set with optional Masonry Brick Refractory



Log Set with optional Ledgestone Refractory



Log Set with optional Black Enamel Refractory

Burn Videos



Carlton 46



Carlton 39

Carlton 39 with a Rectangle Full screen front in Black and optional Black Enamel refractory

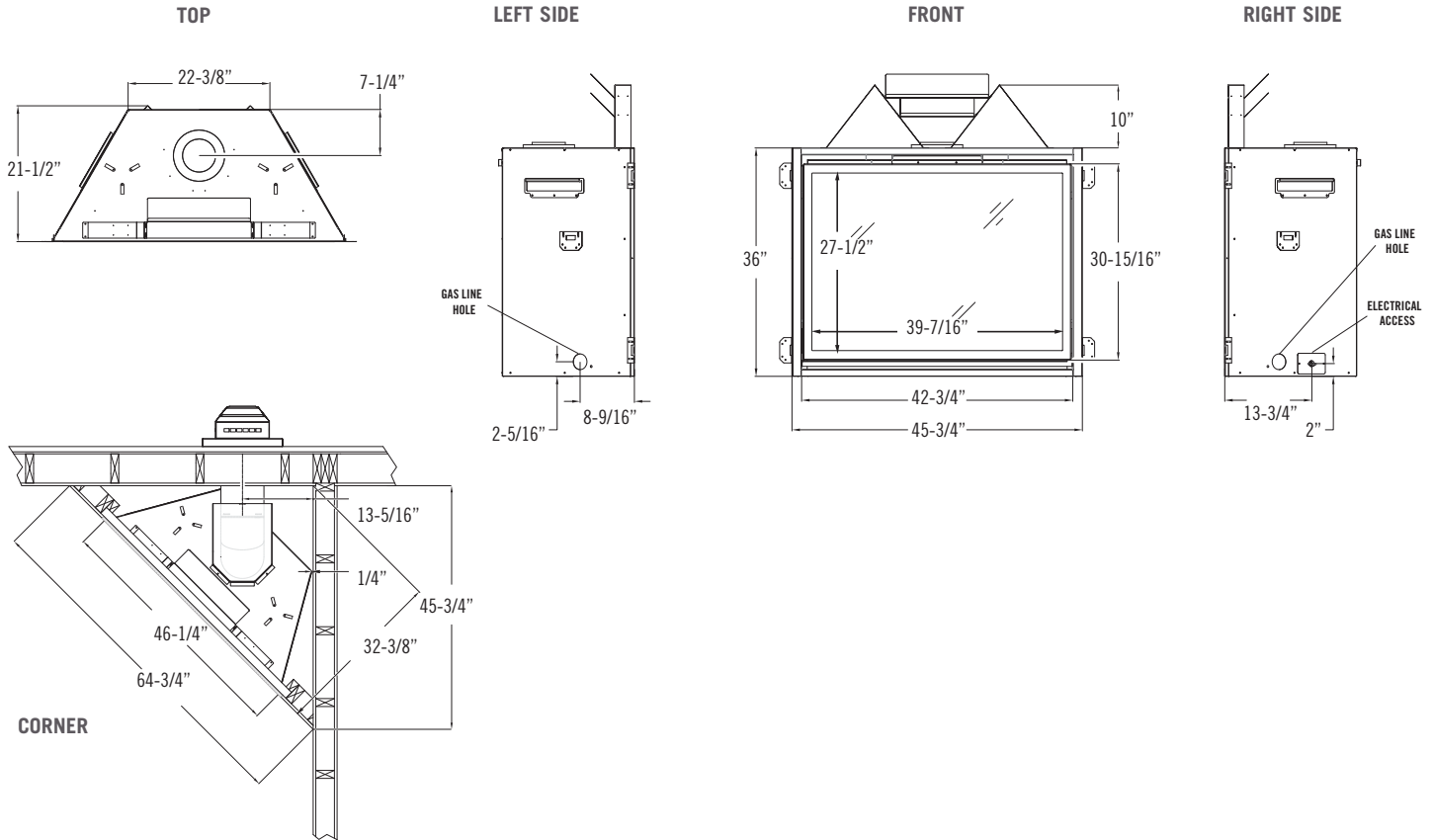


CARLTON SERIES

The Carlton 46 & 39 models come standard with an electronic ignition pilot & remote modulating valve system which will control flame, fan & light adjustment. (Remote control, fan & light kit included). Equipped with our split flow burner, which allows you to turn off only the back burner. That way you can turn down the heat, but still maintain a fire and embers.

Specifications

Carlton 46



Clearances

Model	Carlton 46	Carlton 39
From appliance top stand-offs	0"	0"
From appliance left and right side stand-offs	0"	0"
From appliance back stand-offs	0"	0"
From appliance corners	1/4"	1/4"
From appliance front	36"	36"
From appliance top to ceiling	30"	30"
Appliance sides to adjacent sidewall	2"	1-1/4"
Top of appliance to 3/4" trim	10"	10"
Mantel 10" deep from appliance top	14"	14"

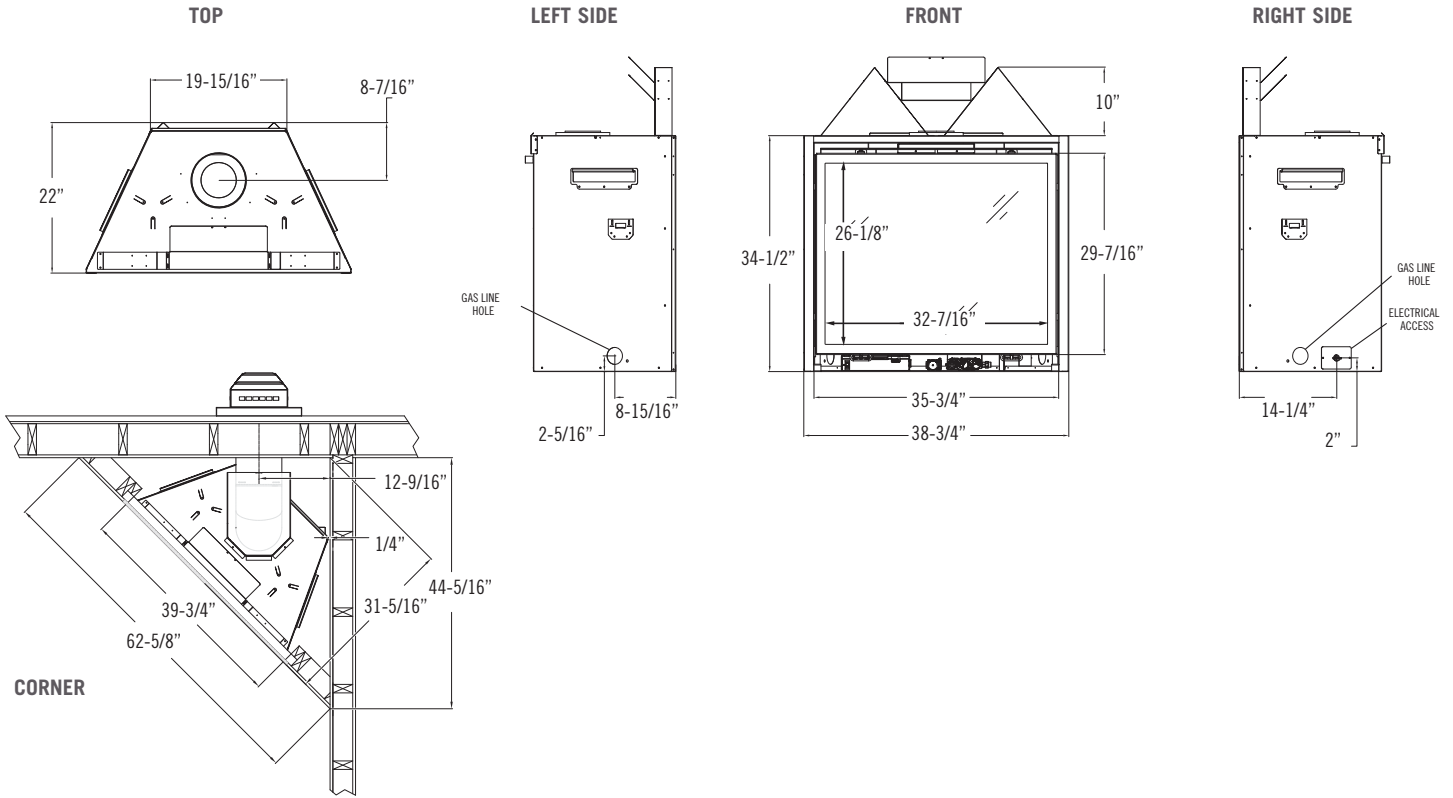
Each unit factory tested
 Certified to ANSI Z21.88 Vented Gas Heaters

Refer to the installation manuals for complete installation & venting requirements.
 See additional mantel clearance configurations in the installation manual.

Model	Carlton 46	Carlton 39
Height	36"	34-1/2"
Width	45-3/4"	38-3/4"
Depth	21-1/2"	22"
Weight	300 lbs.	250 lbs.
Viewing Area	27 1/2" x 39 7/16"	26 1/8" x 32 7/16"
NG High / Low	45,000 / 17,000	40,000 / 13,000
LP High / Low	45,000 / 15,000	41,000 / 13,500
ENERGUIDE P.4 NG / LP	70.74% / 75.52%	67.5% / 69.91%
Steady State NG / LP	73% / 76%	70% / 72%
AFUE % NG / LP	71% / 74%	67% / 70%
Valve System	IPI	IPI
Split Flow Burner	Standard	Standard
Optional Refractory	Brick, Masonry Black Enamel, Ledgestone	Brick, Masonry Black Enamel, Ledgestone
Ceramic Glass	Standard	Standard
Ember Bed Light Kit	Standard	Standard
Fan Kit	Standard	Standard
Finishing Trim Kit	Standard	Standard
Heat Duct Kit(s)	Optional	Optional
Screen Front	Required	Required

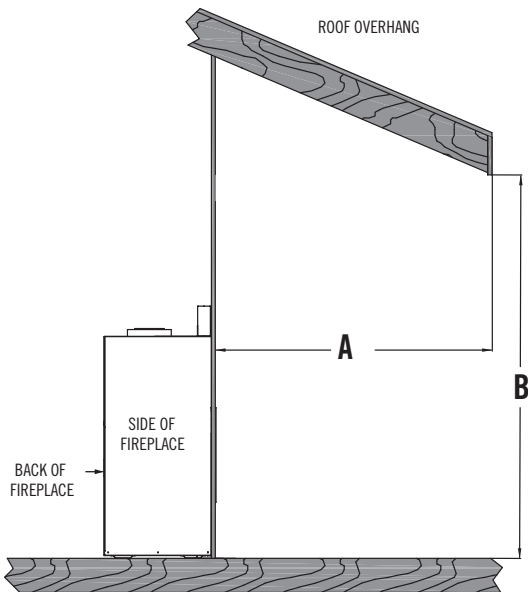
Features, Options & Specifications are subject to change.

Carlton 39

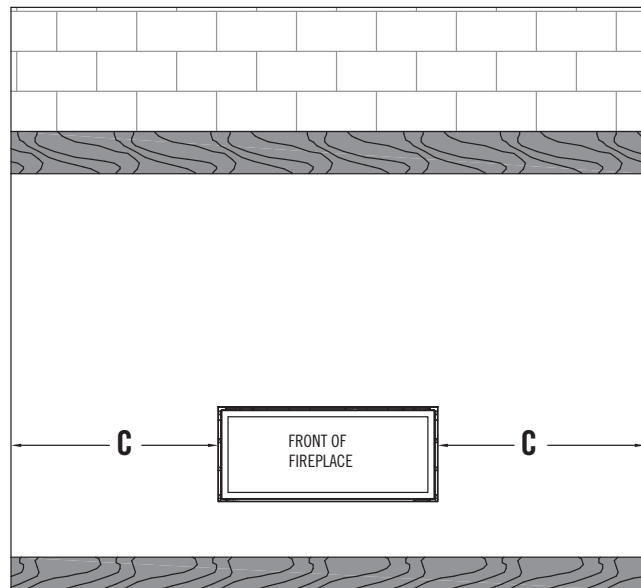


Outdoor Covered Fireplace Install

- Fireplace operation is approved from 40 degrees F to 110 degrees F
- All wiring connections shall be in accordance with outdoor requirements of NECA NFPA 70
- All clearances and requirements in your appliance manual must be adhered to



The overhang (A) must be a minimum of 1/2 or greater of the roofline elevation (B) above the base of the fireplace.



The width of the overhang to each side of the appliance (C) must be a minimum of 1/2 or greater of the roofline elevation (B) above the base of the fireplace.

EXAMPLE: If roofline (B) is 10 ft. above the base of the fireplace, the overhang (A) must be 5 ft. or greater. The width of the overhang to EACH side of the fireplace (C) must be 5 ft. or greater.



Carlton 39 shown with a Rectangle Full screen front with a Brushed Nickel overlay, and optional Black Enamel refractory

Fireplace brochures are for advertising purposes only. Refer to the specific fireplace manual for installation.

CARLTON SERIES







Remote Control



KOMFORT KONTROL

The Komfort Kontrol remote gives you the ability to bring comfort and green technology all together into your home. With the Komfort Kontrol remote, all you have to do is decide a comfortable set point temperature on your remote and when the room temperature gets closer to the point you desire, the Komfort Kontrol remote will turn the flames down accordingly! And with our zone heating, you can save energy and enjoy time in the room you use the most by just turning down the central heat, setting your Komfort Kontrol remote, and enjoy your time around the fireplace with friends, family, or just a good book! That way you'll get to have heat where and when you need it while saving energy and money with just a click of the Komfort Kontrol remote!

Remote control features:

-  Thermostat function
-  Flame height modulation
-  Fan speed modulation
-  Light kit modulation
-  IPI to continuous pilot
-  Split Flow Option

In order to continually provide the highest quality product available, features/options, specifications & dimensions are subject to change. Refer to the unit installation manual for complete installation instructions. Installation must conform with local building codes. **In some regions it may be possible that this appliance qualifies for an energy rebate. See your local dealer for details regarding promotions and qualifications.**

Manufactured by Husong Mfg. Co., Inc.
204 Industrial Park Road, Lakefield, MN 56150
Phone 1-800-253-4904 www.kozyheat.com

10-19



Product Line:



For complete information on the Kozy Heat product line, please contact us at:

FOR CALIFORNIA RESIDENTS ONLY

⚠ California Proposition 65 Warning

WARNING: This product can expose you to chemicals including Carbon Monoxide, that is an externally vented by-product of fuel combustion, which is [are] known to the State of California to cause birth defects or other reproductive harm. For more information, visit www.P65Warnings.ca.gov.