



Gensun[®]



OUTDOOR KITCHENS

Using our skills and craftsmanship in cast and extruded aluminum design and manufacturing we can give you a beautiful outdoor kitchen that will withstand the outdoor elements and coordinates with your Gensun outdoor furniture. These stylish, durable and easy to assemble outdoor kitchens come in a wide variety of pre-designed kitchen islands or you can design your own kitchen using our cabinets and choosing your own countertop. All Gensun kitchen cabinets and countertops have a lifetime structural limited residential warranty.



FEATURES & BENEFITS

Designing and building an outdoor kitchen often requires an extensive and detailed process that can easily end up being a few months before you get to the final product. Now, Gensun gives you the ability to have an outdoor kitchen in days.

Using our skills and craftsmanship in cast and extruded aluminum design and manufacturing we can give you a beautiful outdoor kitchen that will withstand the outdoor elements and coordinates with your Gensun outdoor furniture. These stylish, durable and easy to assemble outdoor kitchens come in a wide variety of pre-designed kitchen islands or you can design your own kitchen using our cabinets and choosing your own countertop.

PRE-DESIGNED KITCHEN ISLANDS

ACCOMMODATE APPLIANCES FROM

- American Outdoor Grill
- Napoleon
- Bull Outdoor Products
- Performance Grilling Systems
- Lion Premium Grills
- Saber
- Fire Magic
- Kamado Type Grills

INCLUDE COUNTERTOP

DESIGN YOUR OWN KITCHEN

OUR CABINETS AND CHOOSE YOUR OWN COUNTERTOPS AND APPLIANCES

OUTDOOR KITCHEN FEATURES & BENEFITS

CABINET FEATURES & BENEFITS

- Fully welded extruded aluminum frames for strength, durability and weather resistance.
- Cast aluminum or extruded/stamped aluminum doors, back and end panels for beauty, coordination with Gensun outdoor furniture and weather resistance.
- Stainless steel hardware for durability and weather resistance.
- Removable drawers providing easy cleaning.
- Removable aluminum shelving providing easy cleaning and accessibility.
- 1" adjustable legs to address uneven surfaces.
- Brackets to hold and position gas and electric lines.
- Assembly is simple with each cabinet connecting to the next with 4 bolts.
- Kitchen Islands offer the ability to move your kitchen to a new location or home.
- Appliance Opening Panels providing options for built-in refrigerators and ice makers. These Panels also provide a finished back to your kitchen.

FINISH FEATURES & BENEFITS

- Gensun offers 20 finish options for your outdoor kitchen cabinets and 29 finish options for your countertops giving you a wide variety of colors to match or complement your patio and home.

COUNTERTOP FEATURES & BENEFITS

- Cast aluminum for beauty, strength, and weather resistance.
- An overhang of 1.5 inches protecting the cabinets from spills and the elements.
- Ready-made and easy attachment to cabinets allowing enjoyment of your outdoor kitchen sooner.
- Some Kitchen Islands offer seating with shade or a fire table for your enjoyment.
- You can also do your own countertop using an appropriate outdoor material.

FASCIA PANEL FEATURES & BENEFITS

- Provide a decorative/finished front cabinet appearance around your appliances.
- A variety of sizes depending on the appliance height and width so the appliance is properly enclosed and receives adequate air flow.
- Easy attachment.
- Finish options to match the color of the cabinet.

PRE-DESIGNED ISLANDS ORDER GUIDE

Gensun Pre-designed Kitchen Islands accommodate a wide variety of appliances that are sold separately. The following information will instruct you on what appliances are available with each pre-designed island and on ordering the correct option so that you receive the countertop and fascia panels for the appliances of choice.

APPLIANCES ACCOMMODATED

KAMADO GRILL CHOICES *(no option needed)*

Kamado Grill Islands accommodate:

- Big Green Egg up to large size
- Kamado Joe up to Classic 18"
- Other Kamado Grills up to 22" diameter
- Grill Dome up to large size
- Primo Oval Jr. and Primo Kamado

GAS GRILL OPTIONS

57" Gas Grill Island, 100" Select Gas Grill Island, 118" Gas Grill & Side Burner Island, 140" Gas Grill & Seating Island, 140" Gas Grill & Fire Table Island, 112" Gas & Kamado Grill Island, 100" X 103" Gas Grill Corner Island and 114" Gas Grill & Large Beverage Center Island accommodate these Built-in Grills:

- AOG: 30NBL, 30NBT
- Lion: L75000
- PGS: S27, S27R, S27T
- Bull: Angus, Lonestar, Select, Outlaw
- Napoleon*: Prestige 500 RB, Pro 500 RB
- Saber: SS 3-Burner, Elite 3-Burner

67" Gas Grill Island, 67" Mobile Gas Grill Island, 106" Select Gas Grill Island, 124" Gas Grill & Side Burner Island, 146" Gas Grill & Seating Island, 146" Gas Grill & Fire Table Island, 118" Gas & Kamado Grill island, 106" X 103" Gas Grill Corner Island and 120" Gas Grill & Large Beverage Center Island accommodate these Built-in Grills:

- AOG: 36NBL, 36NBT
- Fire Magic: A660i, E660i
- Lion: L90000
- PGS: S36, S36R, S36T
- Bull: Brahma
- Fire Magic: A790i, E790i
- Napoleon*: Prestige Pro 665 RB
- Saber: SS 4-Burner, Elite 4-Burner

*Napoleon is not available for the 118" and 124" Gas Grill & Side Burner Island.

SIDE BURNER OPTIONS

118"/124" Gas Grill and Side Burner Islands accommodate these Side Burners:

- AOG Single Burner: 3283
- Fire Magic Single Burner: 3280
- PGS Double Side Burner
- Bull Single Burners: 60008, 60009
- Lion Single Burners: L6247, L5631
- Saber Dual Burners: K00SB1814, K00SB5317

Side burner and gas grill selection must be the same brand.

SMALL BEVERAGE CENTER OPTIONS

Grill and Small Beverage Center Islands accommodate these Beverage Centers:

- PGS Small Beverage Center *(with PGS Grills)*

LARGE BEVERAGE CENTER OPTIONS

Grill and Large Beverage Center Islands accommodate these Beverage Centers:

- Bull 30" Bar Caddy or Lion 30" Bar Center *(with all Grills accommodated except PGS)*
- PGS Large Beverage Center *(with PGS Grills)*

24" APPLIANCE OPENING PANEL INFO

Provides a finished back to the kitchen and accommodates appliances such as refrigerators and ice makers up to: W:23.75" D:26.5" H:34.5"

ADDITIONAL ORDERING NOTES

Appliances and LP Tank Sold Separately

Fire Media Sold Separately for Fire Table Island: Don't forget to add fire media to the order for the Fire Table Island.

Modanō Door Panel: If selecting a door panel finish different than the door frame, please note the finish color on order.

Countertop Included. All Pre-designed Islands include a countertop.

Not Warehoused: All Pre-designed Islands are not warehoused.

MODANŌ STYLE CABINETS



NOT WAREHOUSED

PHOTO: MODANŌ 100" SELECT GRILL ISLAND Finish: Carbon cabinets with Quarry Embellished countertop

COUNTERTOP MATERIAL: Cast aluminum

CABINET MATERIAL: Extruded aluminum

FURNITURE COMPLEMENTS: Alexee, Amari, Aria, Cabrisa, Columbia, Echelon, Edge & Wave, Jayne, Lotus, Morro Bay, Phoenix, Plank, Treviso, Ventura

PARADISE STYLE CABINETS



NOT WAREHOUSED

PHOTO: PARADISE 100" SELECT GRILL ISLAND Finish: Onyx cabinets with Quarry Embellished countertop

COUNTERTOP MATERIAL: Cast aluminum

CABINET MATERIAL: Cast and extruded aluminum

FURNITURE COMPLEMENTS: Alexee, Bel Air, Bella Vista, Columbia, Edge & Wave, Florence, Grand Terrace, Jayne, Lotus, Michigan, Morro Bay, Phoenix, Terrace, Verona



FEATURES: A one-piece cabinet with 3 separate storage areas. A slab of granite is provided to protect the cabinet finish and absorb heat from the grill.

PHOTO: PARADISE 57" KAMADO GRILL ISLAND
Finish: Shade cabinet with Truffle countertop

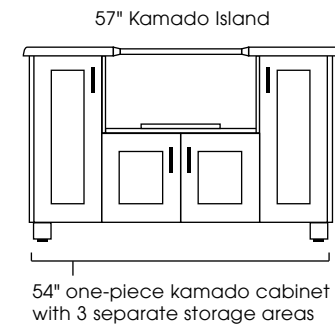
CABINET STYLES AVAILABLE: Modanō and Paradise

SIZE AVAILABLE: 57"

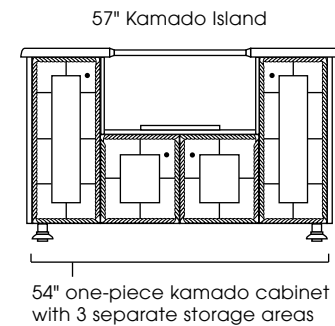
DESIGN INFO: Cabinet: W:54 D:28.5 H:35;
Countertop: W:57 D:31.5 H:1.5 Overhang: 1.5;
Cabinet with Countertop: H:36

See page 185 for appliances accommodated

MODANŌ STYLE CONFIGURATIONS



PARADISE STYLE CONFIGURATIONS





FEATURES: A one-piece cabinet with 3 under grill storage areas. The center storage area houses the LP Tank. More storage is available with the 2 drawers on either side of the grill.

PHOTO: MODANŌ 57" GAS GRILL ISLAND
Finish: Carbon cabinet with Quarry Embellished countertop

CABINET STYLES AVAILABLE: Modanō and Paradise

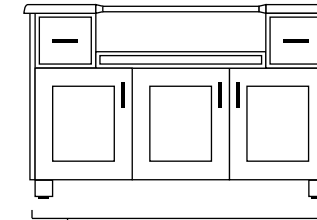
SIZES AVAILABLE: 57", 67"

DESIGN INFO: Cabinet: W:54/64 D:28.5 H:35;
Countertop: W:57/67 D:31.5 H:1.5 Overhang: 1.5;
Cabinet with Countertop: H:36

See page 185 for appliances accommodated

MODANŌ STYLE CONFIGURATIONS

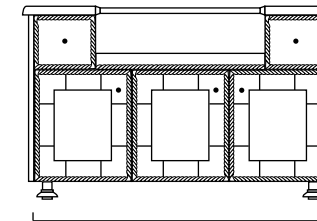
57"/67" Gas Grill Islands



Choose between:
54" one-piece cabinet with 3 under-grill storage areas
64" one-piece cabinet with 3 under-grill storage areas

PARADISE STYLE CONFIGURATIONS

57"/67" Gas Grill Islands



Choose between:
54" one-piece cabinet with 3 under-grill storage areas
64" one-piece cabinet with 3 under-grill storage areas

MOBILE GAS GRILL ISLAND



FEATURES: A one-piece cabinet with 3 under grill storage areas and locking heavy duty caster wheels. The center storage area houses the LP Tank. More storage is available with the 2 drawers on either side of the grill.

PHOTO: MODANŌ 67" MOBILE GAS GRILL ISLAND
Finish: Dove cabinet with Quarry Embellished countertop

CABINET STYLES AVAILABLE: Modanō and Paradise

SIZE AVAILABLE: 67"

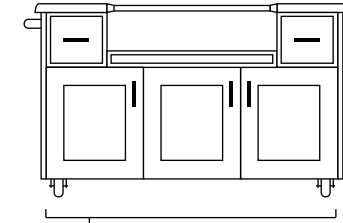
DESIGN INFO: Cabinet (including handles): W:72.5 D:28.5 H:36.5; Countertop: W:67 D:31.5 H:1.5 Overhang: 1.5; Cabinet with Countertop (including caster wheels): H:37.5

See page 185 for appliances accommodated

MOBILE GAS GRILL ISLAND

MODANŌ STYLE CONFIGURATIONS

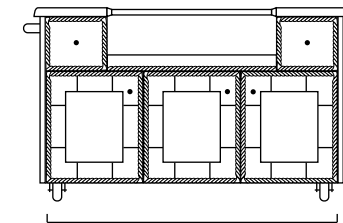
67" Mobile Gas Grill Island



64" one-piece cabinet with 3 under-grill storage areas and locking heavy duty caster wheels

PARADISE STYLE CONFIGURATIONS

67" Mobile Gas Grill Island



64" one-piece cabinet with 3 under-grill storage areas and locking heavy duty caster wheels



FEATURES: Seating on three sides and offers your choice of 3 different cabinet styles providing extensive storage for all of your kitchen dinnerware, glassware and utensils. The countertop area has ample room for all the food and place settings. It also has an umbrella hole if you choose to add shade.

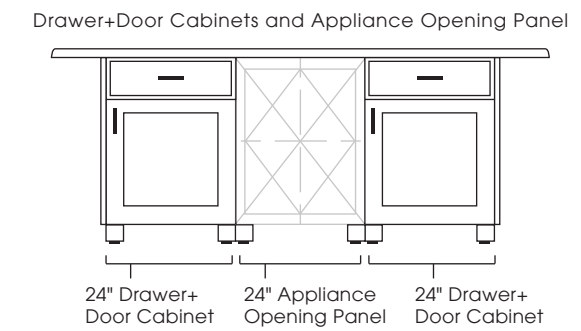
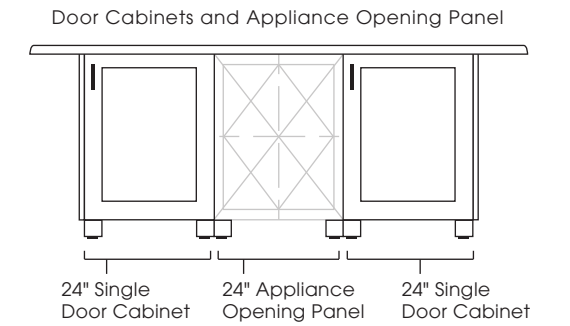
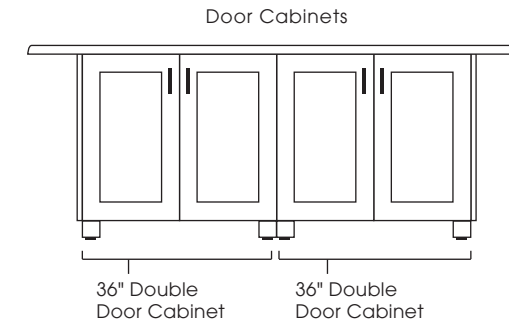
PHOTO: MODANŌ 96" SEATING ISLAND Finish: Onyx/ Sapphire cabinets with Onyx countertop AMARI BALCONY STOOLS Finish: Onyx

CABINET STYLES AVAILABLE: Modanō and Paradise

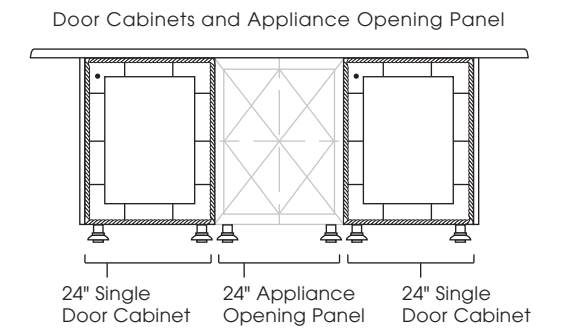
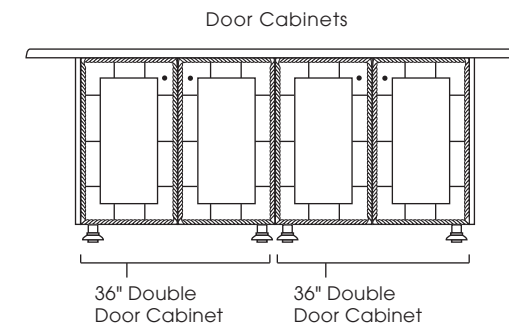
SIZE AVAILABLE: 96"

DESIGN INFO: Cabinets: W:72 D:28.5 H:35; Countertop: W:96 D:50 H:1.5; Overhang: front 1.5, sides 12, back 20; Cabinets with Countertop: H:36

MODANŌ STYLE CONFIGURATIONS



PARADISE STYLE CONFIGURATIONS





FEATURES: A countertop with no seam. See configuration options on next page.

PHOTO: MODANŌ 106" SELECT GRILL ISLAND
Finish: Black/Linen cabinets with Quarry Embellished countertop

CABINET STYLES AVAILABLE: Modanō and Paradise

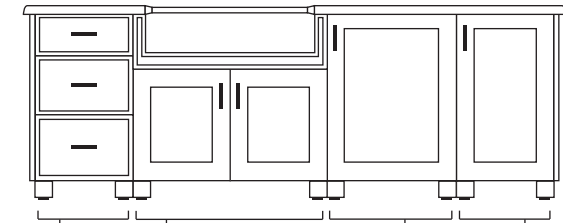
SIZES AVAILABLE: 94", 100", 106"

DESIGN INFO: Cabinets: W:91/97/103 D:28.5 H:35;
Countertop: W:94/100/106 D:31.5 H:1.5 Overhang: 1.5;
Cabinets with Countertop: H:36

See page 185 for appliances accommodated

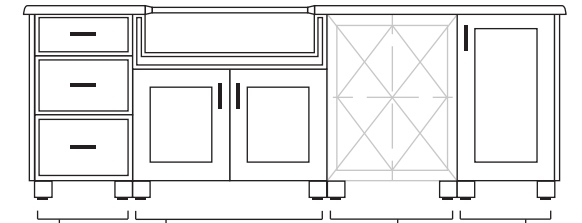
MODANŌ STYLE CONFIGURATIONS

Drawer Cabinet and Door Cabinets



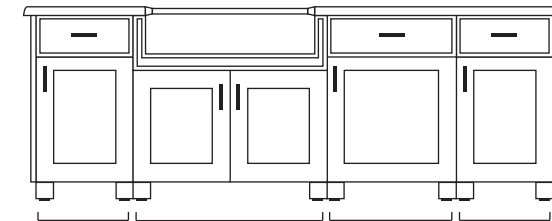
18" Three Drawer Cabinet Choose between:
30" Kamado Cabinet
36" Gas/LP Grill Cabinet
42" Gas/LP Grill Cabinet 24" Single Door Cabinet 18" Single Door Cabinet

Drawer Cabinet, Appliance Opening Panel and Door Cabinet



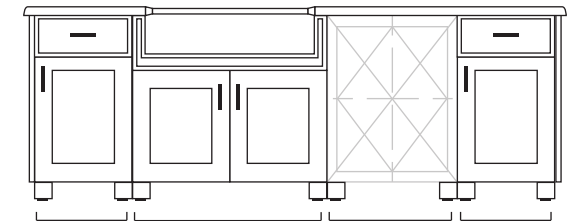
18" Three Drawer Cabinet Choose between:
30" Kamado Cabinet
36" Gas/LP Grill Cabinet
42" Gas/LP Grill Cabinet 24" Appliance Opening Panel 18" Single Door Cabinet

Drawer+Door Cabinets



18" Drawer +Door Cabinet Choose between:
30" Kamado Cabinet
36" Gas/LP Grill Cabinet
42" Gas/LP Grill Cabinet 24" Drawer +Door Cabinet 18" Drawer +Door Cabinet

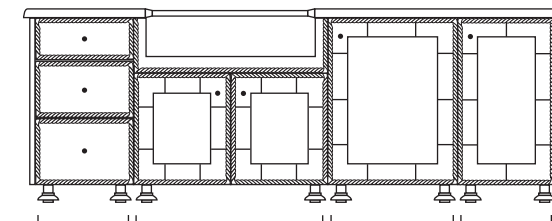
Drawer+Door Cabinets and Appliance Opening Panel



18" Drawer +Door Cabinet Choose between:
30" Kamado Cabinet
36" Gas/LP Grill Cabinet
42" Gas/LP Grill Cabinet 24" Appliance Opening Panel 18" Drawer +Door Cabinet

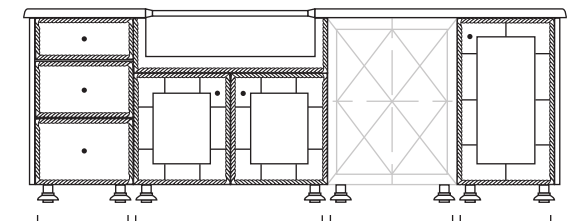
PARADISE STYLE CONFIGURATIONS

Drawer Cabinet and Door Cabinets



18" Three Drawer Cabinet Choose between:
30" Kamado Cabinet
36" Gas/LP Grill Cabinet
42" Gas/LP Grill Cabinet 24" Single Door Cabinet 18" Single Door Cabinet

Drawer Cabinet, Appliance Opening Panel and Door Cabinet



18" Three Drawer Cabinet Choose between:
30" Kamado Cabinet
36" Gas/LP Grill Cabinet
42" Gas/LP Grill Cabinet 24" Appliance Opening Panel 18" Single Door Cabinet



FEATURES: A countertop with one seam.
See configuration options on next page.

PHOTO: PARADISE 124" GRILL & SIDE BURNER ISLAND
Finish: Shade cabinets with Quarry Embellished countertop

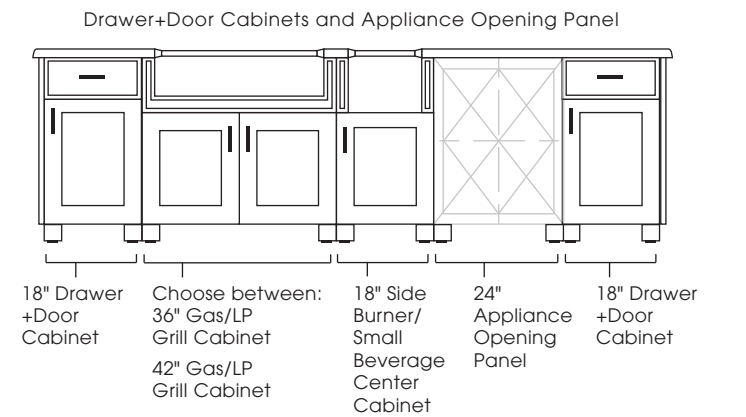
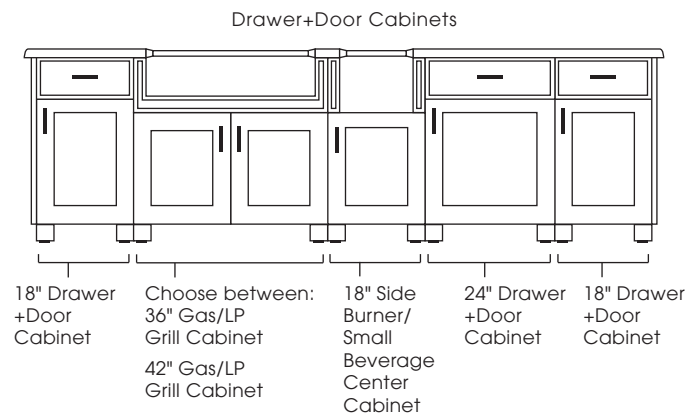
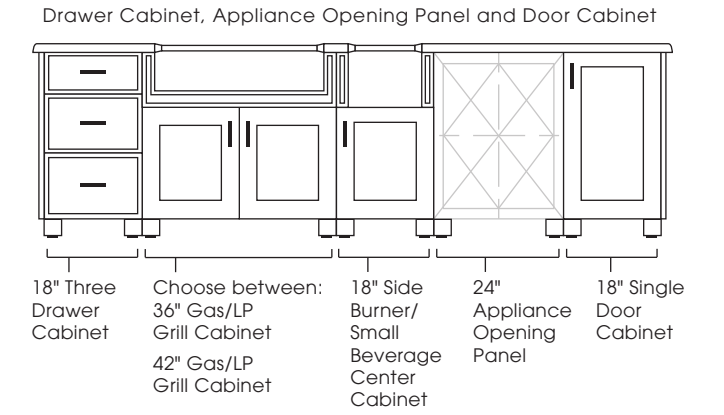
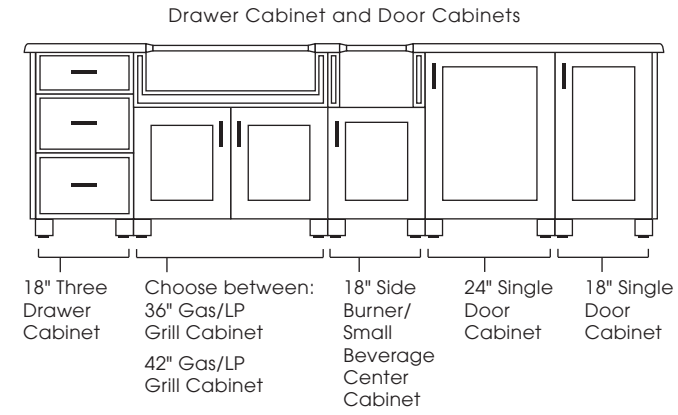
CABINET STYLES AVAILABLE: Modanō and Paradise

SIZES AVAILABLE: 118", 124"

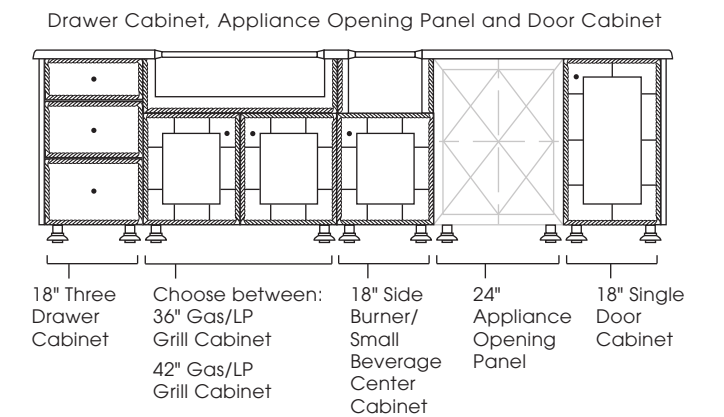
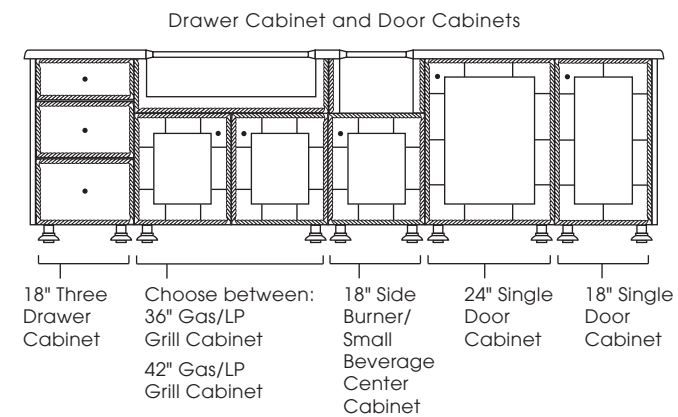
DESIGN INFO: Cabinets: W:115/121 D:28.5 H:35;
Countertop: W:118/124 D:31.5 H:1.5 Overhang: 1.5;
Cabinets with Countertop: H:36

See page 185 for appliances accommodated

MODANŌ STYLE CONFIGURATIONS



PARADISE STYLE CONFIGURATIONS



GRILL & SMALL BEVERAGE CENTER ISLAND



FEATURES: A countertop with one seam. See configuration options on next page.

PHOTO: MODANŌ 118" GRILL & SMALL BEVERAGE CENTER ISLAND Finish: Onyx cabinets with Shade Embellished countertop

CABINET STYLES AVAILABLE: Modanō and Paradise

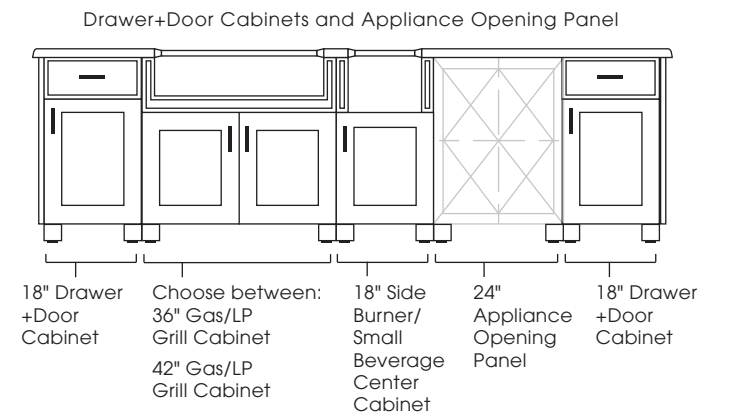
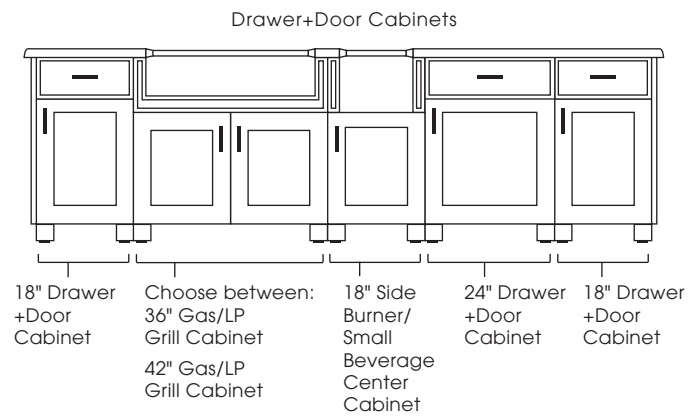
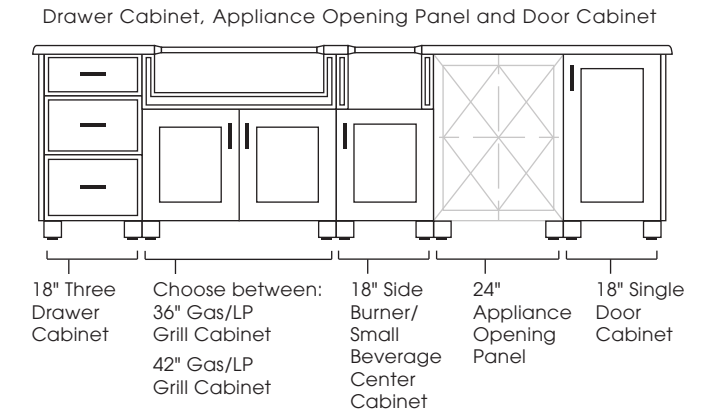
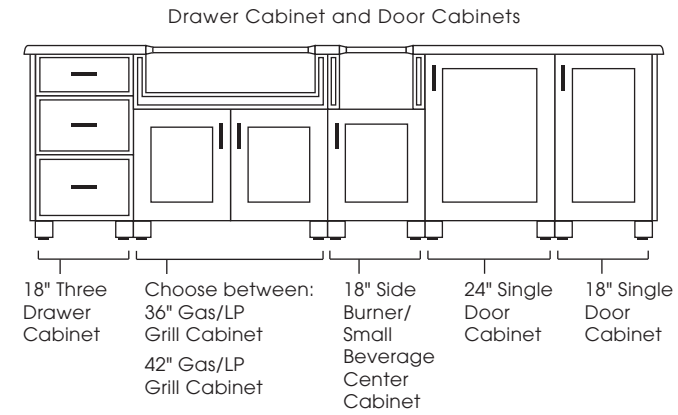
SIZES AVAILABLE: 118", 124"

DESIGN INFO: Cabinets: W:115/121 D:28.5 H:35; Countertop: W:118/124 D:31.5 H:1.5 Overhang: 1.5; Cabinets with Countertop: H:36

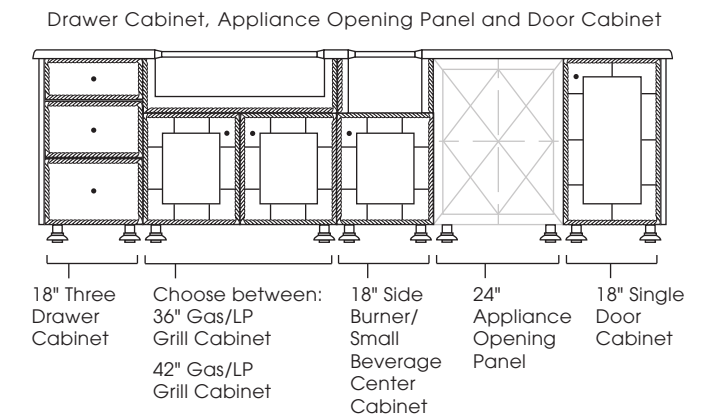
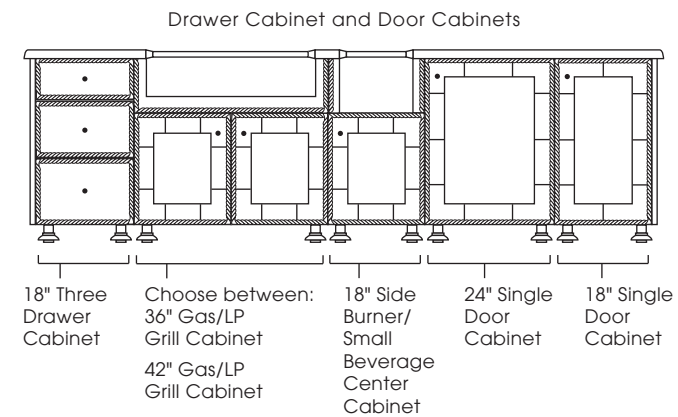
See page 185 for appliances accommodated

GRILL & SMALL BEVERAGE CENTER ISLAND

MODANŌ STYLE CONFIGURATIONS



PARADISE STYLE CONFIGURATIONS





FEATURES: A countertop with one seam and connected pedestal table with umbrella hole. The pedestal table has room for up to 6 balcony height stools. See configuration options on next page.

PHOTO: PARADISE 140" GRILL & SEATING ISLAND
 Finish: Midnight Gold cabinets with Truffle
 Embellished countertop TERRACE BALCONY STOOLS
 Finish: Midnight Gold

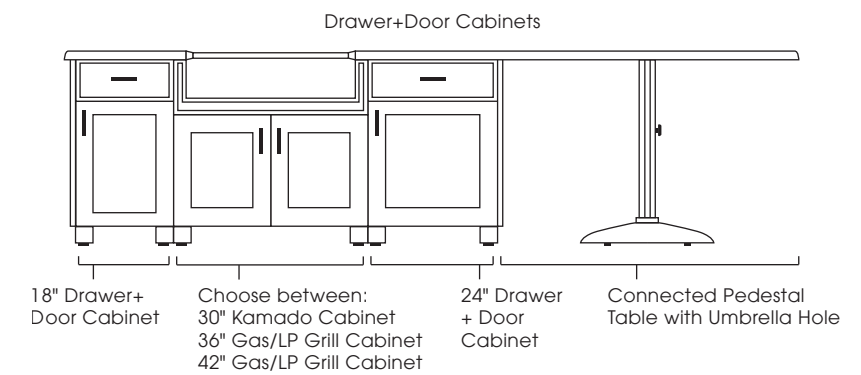
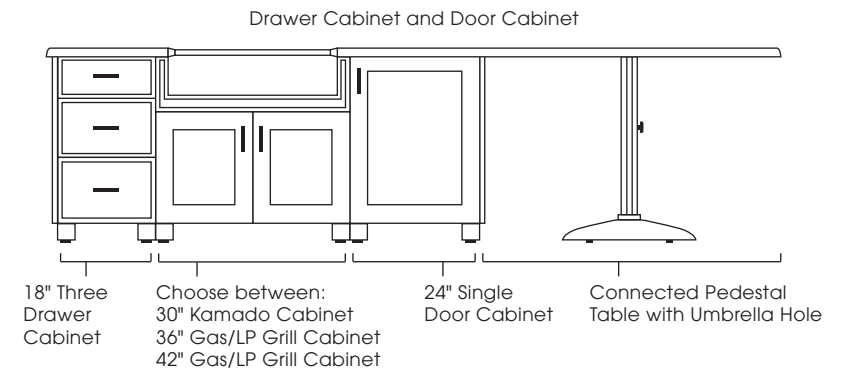
CABINET STYLES AVAILABLE: Modanō and Paradise

SIZES AVAILABLE: 134", 140", 146"

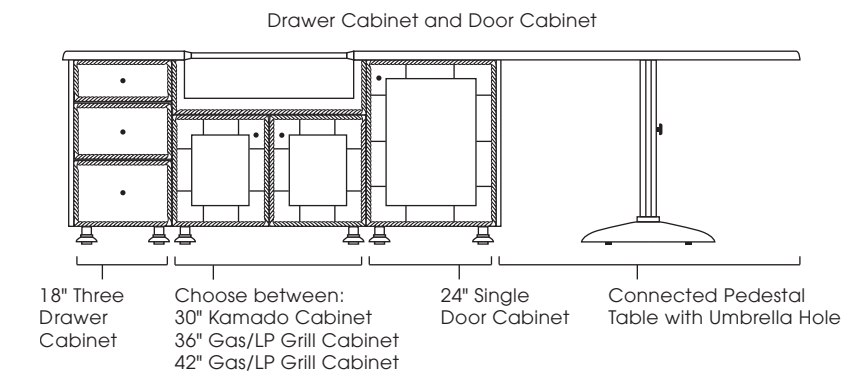
DESIGN INFO: Cabinets: W:72/78/84 D:28.5 H:35;
 Countertop: W:134/140/146 D:31.5/52 H:1.5
 Overhang: 1.5; Cabinets with Countertop: H:36

See page 185 for appliances accommodated

MODANŌ STYLE CONFIGURATIONS



PARADISE STYLE CONFIGURATIONS



GRILL & FIRE TABLE ISLAND



FEATURES: A countertop with one seam. The fire table has room for up to 6 balcony height stools. See configuration options on next page.

PHOTO: MODANŌ 146" GRILL & FIRE TABLE ISLAND
Finish: Medallion cabinets with Truffle countertop
LOTUS BALCONY STOOLS Finish: Medallion

See fire table accessories page for fire media.
Fire media sold separately.

CABINET STYLES AVAILABLE: Modanō and Paradise

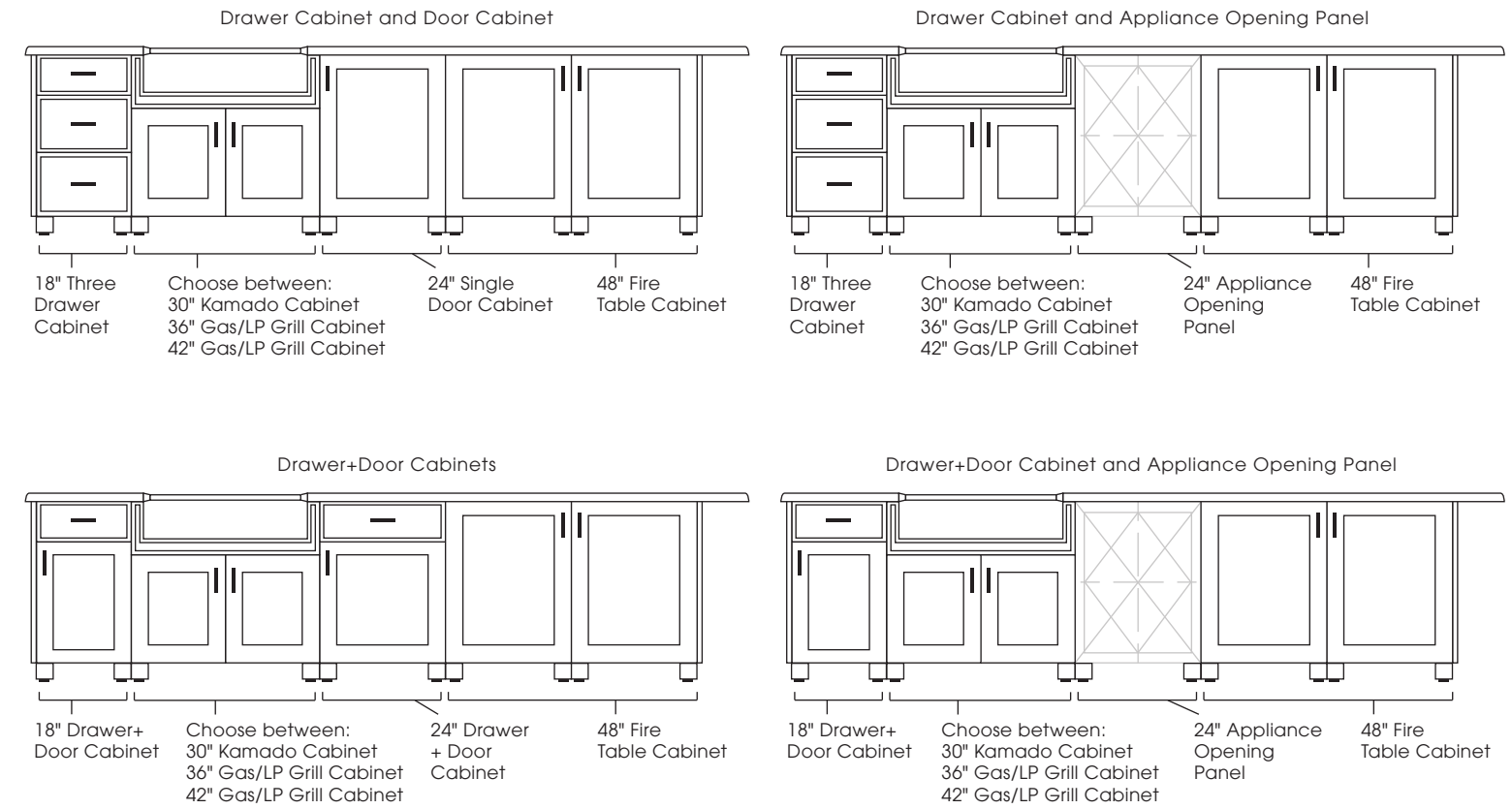
SIZES AVAILABLE: 134", 140", 146"

DESIGN INFO: Cabinets: W:120/126/132 D:28.5 H:35;
Countertop: W:134/140/146 D:31.5/52 H:1.5 Overhang:
1.5, fire table sides 11.75, fire table end 12; Cabinets
with Countertop: H:36

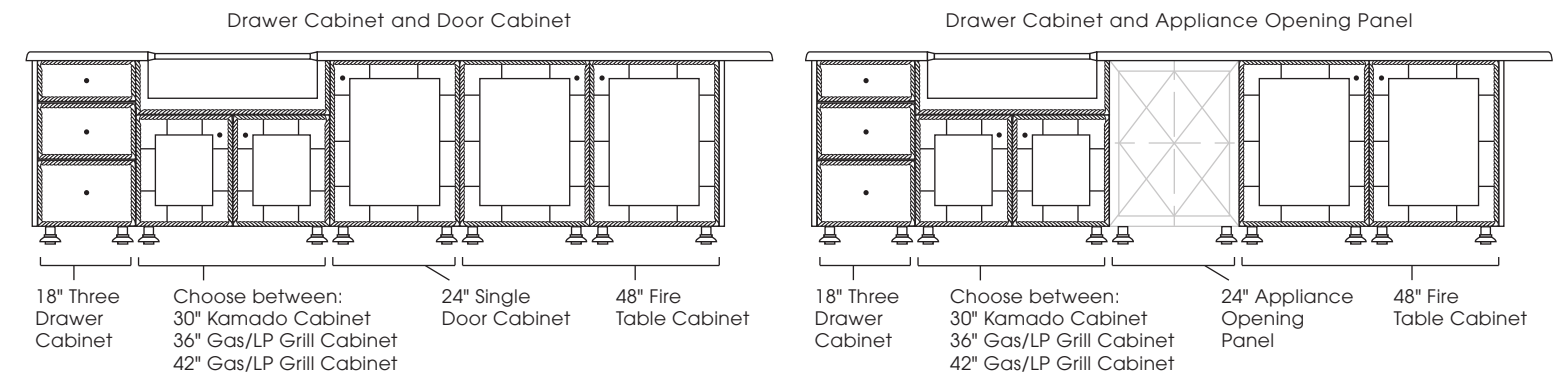
See page 185 for appliances accommodated

GRILL & FIRE TABLE ISLAND

MODANŌ STYLE CONFIGURATIONS



PARADISE STYLE CONFIGURATIONS





FEATURES: A countertop with one seam. See configuration options on next page.

PHOTO: MODANŌ 112" GAS & KAMADO GRILL ISLAND Finish: Carbon cabinets with Truffle countertop

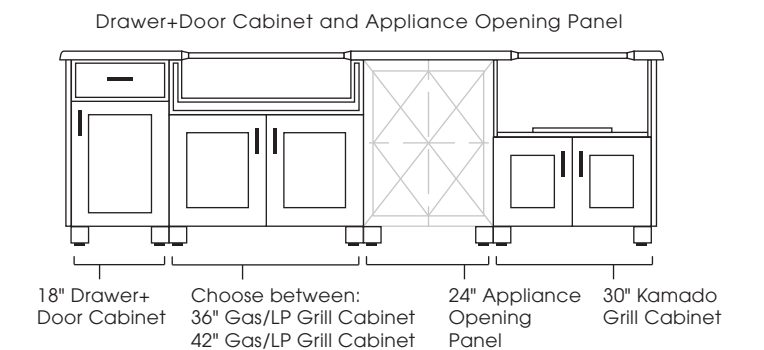
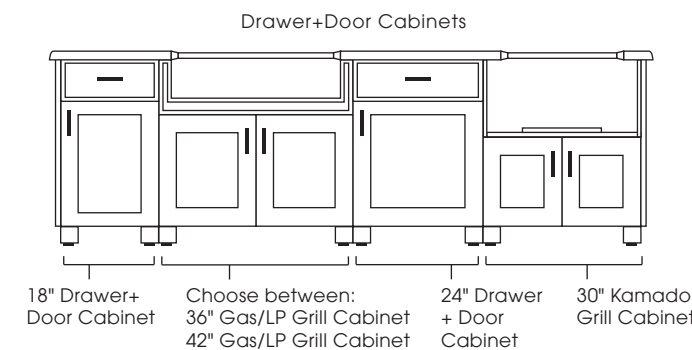
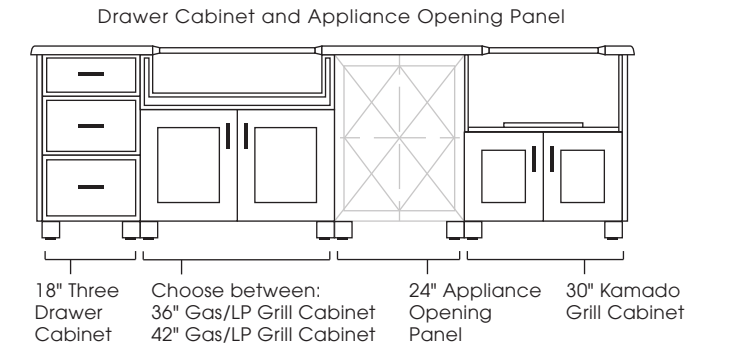
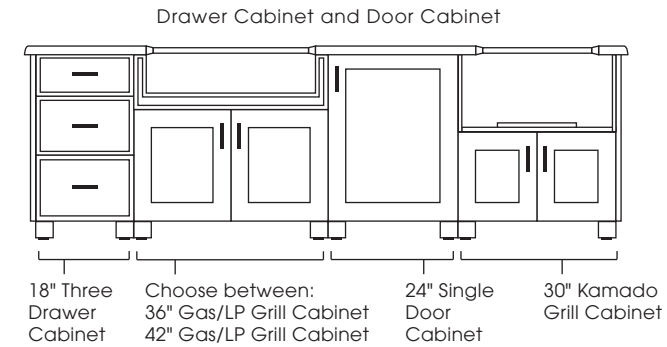
CABINET STYLES AVAILABLE: Modanō and Paradise

SIZES AVAILABLE: 112", 118"

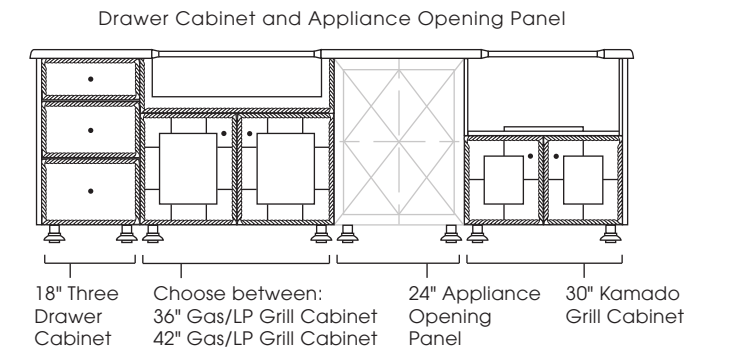
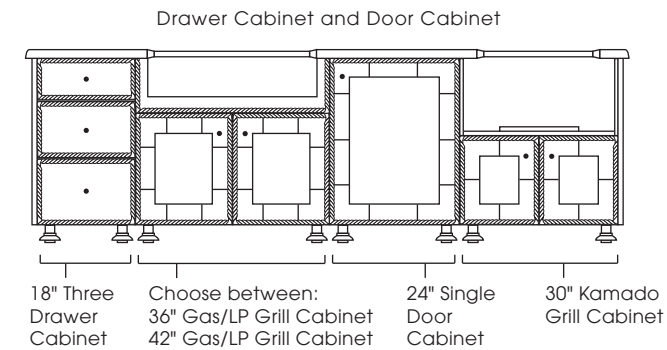
DESIGN INFO: Cabinets: W:108/114 D:28.5 H:35; Countertop: W:112/118 D:31.5 H:1.5 Overhang: 1.5; Cabinets with Countertop: H:36

See page 185 for appliances accommodated

MODANŌ STYLE CONFIGURATIONS



PARADISE STYLE CONFIGURATIONS



GRILL & SEATING CORNER ISLAND



FEATURES: A countertop with one seam and umbrella hole. Room for up to 5 balcony height stools. See configuration options on next page.

PHOTO: PARADISE 106" X 103" GRILL & SEATING CORNER ISLAND Finish: Desert Bronze cabinets with Desert Bronze countertop FLORENCE SLING SWIVEL ROCKING BALCONY STOOLS Finish: Desert Bronze

CABINET STYLES AVAILABLE: Modanō and Paradise

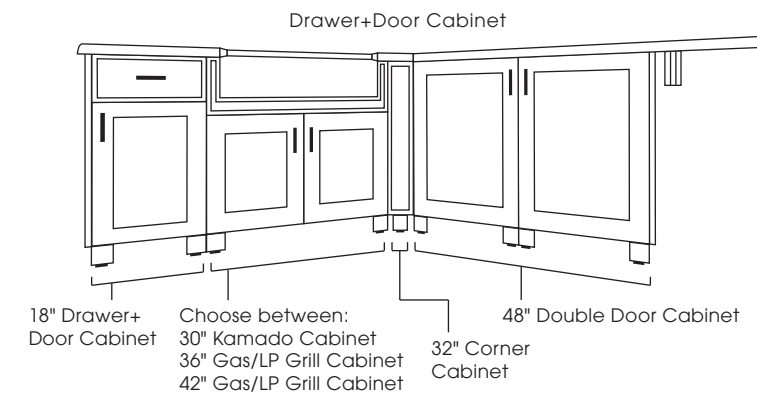
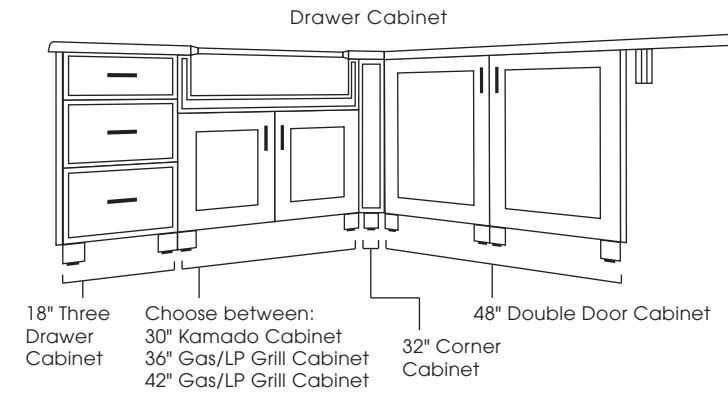
SIZES AVAILABLE: 94" X 103", 100" X 103", 106" X 103"

DESIGN INFO: Cabinets: W:80/86/92 D:28.5 H:35; Countertop: W:94/100/106 D:31.5/44 H:1.5 Overhang: 1.5, seating end 20, seating back 14; Cabinets with Countertop: H:36

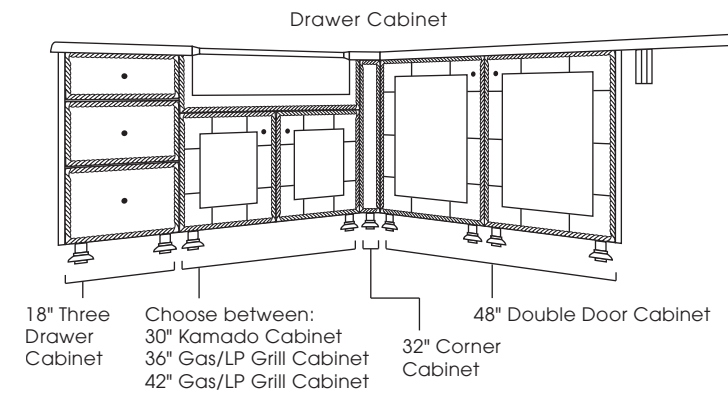
See page 185 for appliances accommodated

GRILL & SEATING CORNER ISLAND

MODANŌ STYLE CONFIGURATIONS



PARADISE STYLE CONFIGURATIONS



GRILL & LARGE BEVERAGE CENTER ISLAND



FEATURES: A countertop with one seam. See configuration options on next page.

PHOTO: MODANŌ 114" GRILL & LARGE BEVERAGE CENTER ISLAND Finish: Mink cabinets with Truffle countertop

CABINET STYLES AVAILABLE: Modanō and Paradise

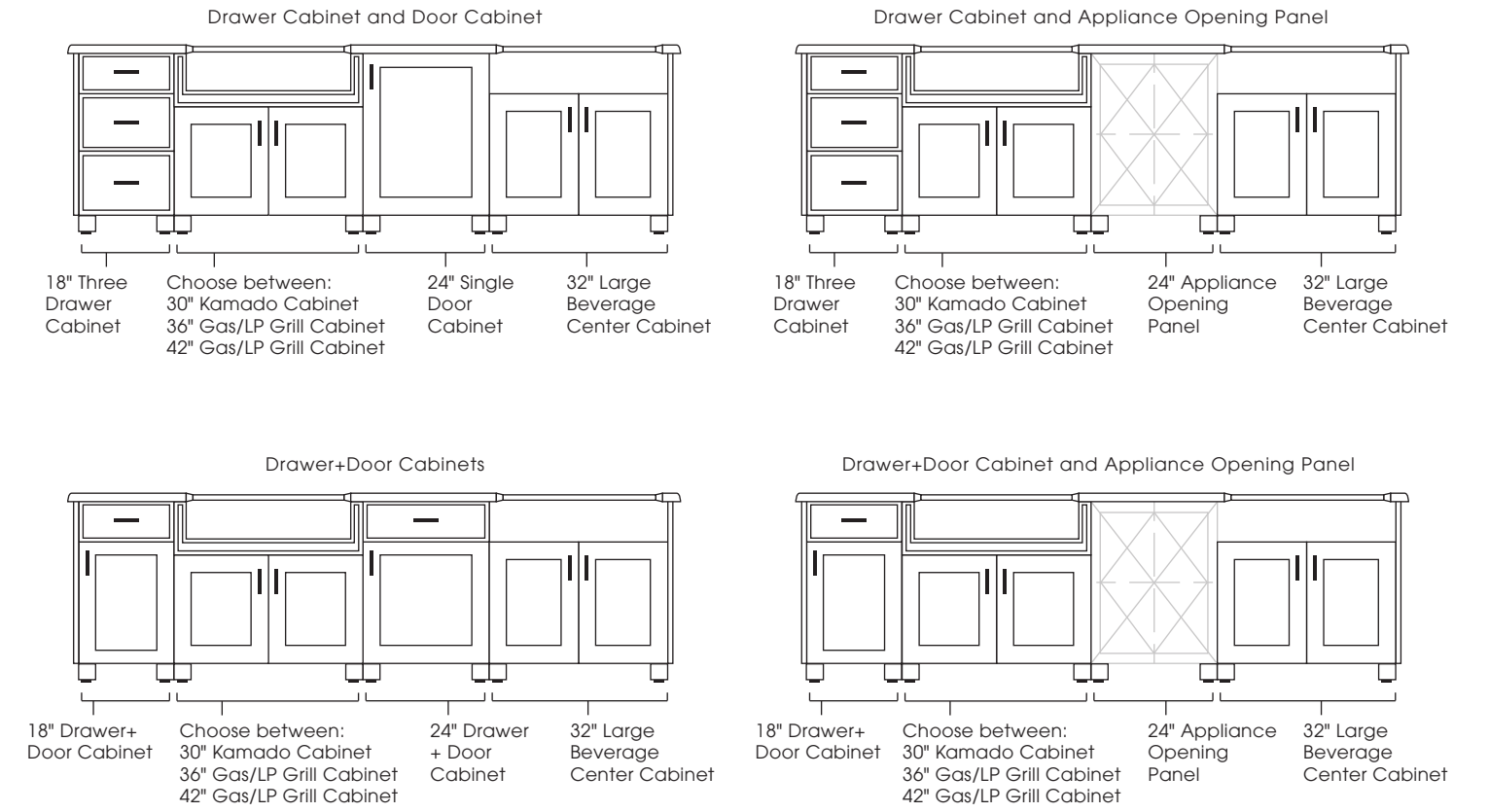
SIZES AVAILABLE: 108", 114", 120"

DESIGN INFO: Cabinets: W:104/110/116 D:28.5 H:35; Countertop: W:108/114/120 D:31.5 H:1.5 Overhang: 1.5; Cabinets with Countertop: H:36

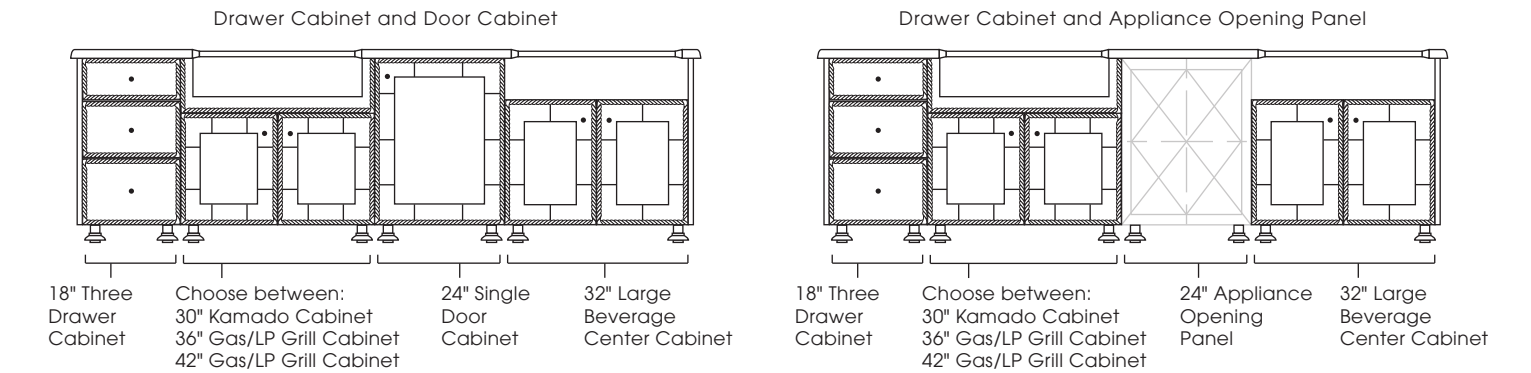
See page 185 for appliances accommodated

GRILL & LARGE BEVERAGE CENTER ISLAND

MODANŌ STYLE CONFIGURATIONS



PARADISE STYLE CONFIGURATIONS



DESIGN YOUR OWN KITCHEN

Gensun has made designing your own outdoor kitchen an easy process. Follow the steps below to make your outdoor kitchen everything you want. If you need help with space planning, our website offers a space planner where you can fit your kitchen and your furniture to your outdoor space.

KITCHEN DESIGN STEPS

DETERMINE THE LOCATION AND SIZE OF THE AREA FOR YOUR KITCHEN. Keep in mind that for best grill performance the wind direction should come from the back of a grill.

WHAT APPLIANCES DO YOU WANT IN YOUR KITCHEN? We offer a variety of cabinets for gas/LP and kamado grills, side burners, beverage centers and sinks. We also have appliance opening panels.

30" KAMADO GRILL CABINET ACCOMMODATES THESE GRILLS

- Big Green Egg up to large size
- Kamado Joe up to Classic 18"
- Other Kamado Grills up to 22" diameter
- Grill Dome up to large size
- Primo Oval Jr. and Primo Kamado

36" GAS/LP GRILL CABINET ACCOMMODATES THESE GRILLS

- AOG: 30NB, 30NBL, 30NBT
- Lion: L75000
- PGS: S27, S27R, S27T
- Bull: Angus, Lonestar, Select, Outlaw
- Napoleon: Prestige 500 RB, Pro 500 RB
- Saber: SS 3-Burner, Elite 3-Burner, SS500, SSE1500

42" GAS/LP GRILL CABINET ACCOMMODATES THESE GRILLS

- AOG: 36NB, 36NBL, 36NBT
- Lion: L90000
- Fire Magic: A790i, E790i
- PGS: S36, S36R, S36T
- Bull: Brahma
- Fire Magic: A660i, E660i
- Napoleon: Prestige Pro 665 RB
- Saber: SS 4-Burner, Elite 4-Burner, SS670, SSE1670

18" SIDE BURNER/SMALL BEVERAGE CENTER CABINET ACCOMMODATES THESE APPLIANCES

- AOG Single Burner: 3283
- Bull Single Burners: 60008, 60009
- Fire Magic Single Burners: 32794-1, 3279-1, 3280
- PGS: Double Burner, Small Beverage Center
- AOG Double Burner: 3282T/L
- Lion Single Burners: L6247, L5631
- Fire Magic Double Burners: 32815, 32815H, 32817, 32814, 3281
- Saber Dual Burners: K00SB1814, K00SB5317

30" SIDE BURNER CABINET ACCOMMODATES THESE APPLIANCES

- Bull Double Burners: 60088, 60099
- Lion Double Burners: L1707, L1634

32" LARGE BEVERAGE CENTER CABINET ACCOMMODATES THESE APPLIANCES

- Bull 30" Bar Caddy
- PGS Large Beverage Center
- Lion 30" Bar Center

24" APPLIANCE OPENING PANEL

Provides a finished back to the kitchen and accommodates appliances such as refrigerators and ice makers up to: W:23.75" D:26.5" H:34.5"

WHAT STORAGE CABINETS DO YOU WANT IN YOUR KITCHEN? Cabinets come in door, drawer, and drawer + door configurations and in many widths. There are corner cabinets if you want your kitchen to be an L or U in design.

WANT SEATING? We have pedestal table seating and a fire table that accommodate up to 6 balcony height stools.

AFTER YOU HAVE DETERMINED YOUR CABINETS YOU WILL NEED TO ORDER TWO MORE COMPONENTS:

1. The appropriate fascia panel to fit on the front of the cabinet(s) around the front of your gas grill, side burner or small beverage center. Kamado grills, large beverage centers accommodated, drop-in side burners and sinks do not require fascia panels.
2. An end cabinet side panel to give the cabinets at each end of your kitchen a finished look.

WHAT FINISH DO YOU WANT ON YOUR CABINETS AND FASCIA PANELS? We offer 20 finishes for you to choose from.

THE COUNTERTOP IS UP TO YOU. We could never offer the vast choices that are available in the market. There are many suppliers of granite, marble, quartz, and other good products that can be used for your countertop. Please select a qualified company that will make and install your countertop to meet outdoor standards.

APPLIANCES AND LP TANK SOLD SEPARATELY

NOT WAREHOUSED. All cabinets and panels are not warehoused.

MODULAR CABINETS



30" KAMADO GRILL CABINET
 MODANŌ: 95GE0030 | PARADISE: 93GE0030
 W:30 D:28.5 H:35
 Shelf Dimensions: W:25.5 D:23.75 H:15.75
See page 212 for appliances accommodated



36" GAS/LP GRILL CABINET
 MODANŌ: 95GRAL36 | PARADISE: 92GRAL36
 W:36 D:28.5 H:35
 Opening Dimensions: W:31.75 D:24 H:10.5

FASCIA PANELS
 MODANŌ: AOG 95FPAOG2, Bull and Lion 95FPLI36, Napoleon 95FPNO36, PGS 95FPPG36, Saber 95FPSA36
 PARADISE: AOG 90FPAOG2, Bull and Lion 90FPLI36, Napoleon 90FPNO36, PGS 90FPPG36, Saber 90FPSA36
See page 212 for appliances accommodated



42" GAS/LP GRILL CABINET
 MODANŌ: 95GRAL42 | PARADISE: 92GRAL42
 W:42 D:28.5 H:35
 Opening Dimensions: W:37.75 D:24 H:10.5

FASCIA PANELS
 MODANŌ: AOG 95FPAOG1, Bull and Lion 95FPLI42, Fire Magic (A660i and E660i) 95FPPM02, Fire Magic (A790i and E790i) 95FPPM01, Napoleon 95FPNO42, PGS 95FPPG42, Saber 95FPSA42
 PARADISE: AOG 90FPAOG1, Bull and Lion 90FPLI42, Fire Magic (A660i and E660i) 90FPPM02, Fire Magic (A790i and E790i) 90FPPM01, Napoleon 90FPNO42, PGS 90FPPG42, Saber 90FPSA42
See page 212 for appliances accommodated



18" SIDE BURNER/SMALL BEVERAGE CENTER CABINET
 MODANŌ: 95SBAL18 | PARADISE: 93SBAL18
 W:18 D:28.5 H:35
 Opening Dimensions: W:14.75 D:24 H:10.5

FASCIA PANELS
 MODANŌ: AOG and Fire Magic slide-ins 95FPFM04, AOG, Bull, Fire Magic and Lion drop-ins 95FPLI18, PGS 95FPPG18, Saber 95FPSA18
 PARADISE: AOG and Fire Magic slide-ins 90FPFM04, AOG, Bull, Fire Magic and Lion drop-ins 90FPLI18, PGS 90FPPG18, Saber 90FPSA18

See page 212 for appliances accommodated

MODANŌ PARADISE



30" SINK CABINET
 MODANŌ: 95SK0030 | PARADISE: 92SK0030
 W:30 D:28.5 H:35
 Opening Dimensions: W:26.5 D:24 H:10.5
Includes hole cutout in back for plumbing

MODANŌ PARADISE



30" SIDE BURNER CABINET
 MODANŌ: 95DBAL30 | PARADISE: 92DBAL30
 W:30 D:28.5 H:35
 Opening Dimensions: W:26.5 D:24 H:10.5

FASCIA PANEL
 MODANŌ: Bull and Lion 95FPLI30
 PARADISE: Bull and Lion 90FPLI30

See page 212 for appliances accommodated

MODANŌ PARADISE



48" FIRE TABLE CABINET
 MODANŌ: 9567GBN2 | PARADISE: 9268GBN2
 W:48 D:28.5 H:35
See fire table accessories page for fire media. Fire media sold separately.

MODANŌ PARADISE



32" LARGE BEVERAGE CENTER CABINET
 MODANŌ: 95BCLI32 | PARADISE: 92BCLI32
 W:32 D:28.5 H:35
 Opening Dimensions: W:28.75 D:24 H:8
See page 212 for appliances accommodated

MODANŌ PARADISE



6" UMBRELLA CABINET
 MODANŌ: 95CBUB06 | PARADISE: 92CBUB06
 W:6 D:28.5 H:35
Accommodates up to 2" Umbrella Poles

MODANŌ PARADISE



MODANŌ



PARADISE

18" SINGLE DOOR CABINET
MODANŌ: 95CBSD18 | PARADISE: 93CBSD18
W:18 D:28.5 H:35



MODANŌ



PARADISE

24" THREE DRAWER CABINET
MODANŌ: 95CBDR24 | PARADISE: 92CBDR24
W:24 D:28.5 H:35



MODANŌ



PARADISE

18" THREE DRAWER CABINET
MODANŌ: 95CBDR18 | PARADISE: 92CBDR18
W:18 D:28.5 H:35



MODANŌ



MODANŌ

18" DRAWER + DOOR CABINET
MODANŌ: 95CB2D18
W:18 D:28.5 H:35
24" DRAWER + DOOR CABINET
MODANŌ: 95CB2D24
W:24 D:28.5 H:35



MODANŌ



PARADISE

24" SINGLE DOOR CABINET
MODANŌ: 95CBSD24 | PARADISE: 93CBSD24
W:24 D:28.5 H:35



MODANŌ



PARADISE

32" CORNER CABINET
MODANŌ: 95CBCC32 | PARADISE: 90CBCC32
W:32.5 D:32.5 H:35
Cabinet features double doors on the back right side

MODULAR CABINETS



MODANŌ



PARADISE

30" DOUBLE DOOR CABINET
 MODANŌ: 95CBDD30 | PARADISE: 92CBDD30
 W:30 D:28.5 H:35



MODANŌ



PARADISE

36" DOUBLE DOOR CABINET
 MODANŌ: 95CBDD36 | PARADISE: 92CBDD36
 W:36 D:28.5 H:35



MODANŌ



PARADISE

48" DOUBLE DOOR CABINET
 MODANŌ: 95CBDD48 | PARADISE: 92CBDD48
 W:48 D:28.5 H:35

MODULAR PANELS



MODANŌ



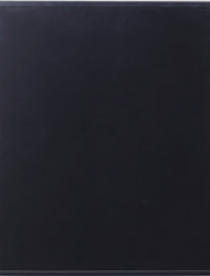
PARADISE

18" OPENING PANEL
 MODANŌ: 95CBCS18 | PARADISE: 90CBCS18
 W:18 D:4.5 (Paradise), 5 (Modanō) H:35

21" OPENING PANEL
 MODANŌ: 95CBCS21 | PARADISE: 90CBCS21
 W:21 D:4.5 (Paradise), 5 (Modanō) H:35

24" OPENING PANEL
 MODANŌ: 95CBCS24 | PARADISE: 90CBCS24
 W:24 D:4.5 (Paradise), 5 (Modanō) H:35

Appliance opening panels are used to create an opening for an appliance (refrigerator, ice maker, etc). They attach to the frame in between two modular cabinets.



MODANŌ



PARADISE

END CABINET SIDE PANEL
 MODANŌ: 95CBCESP | PARADISE: 90CBCESP
 W:27 D:0.75 H:31

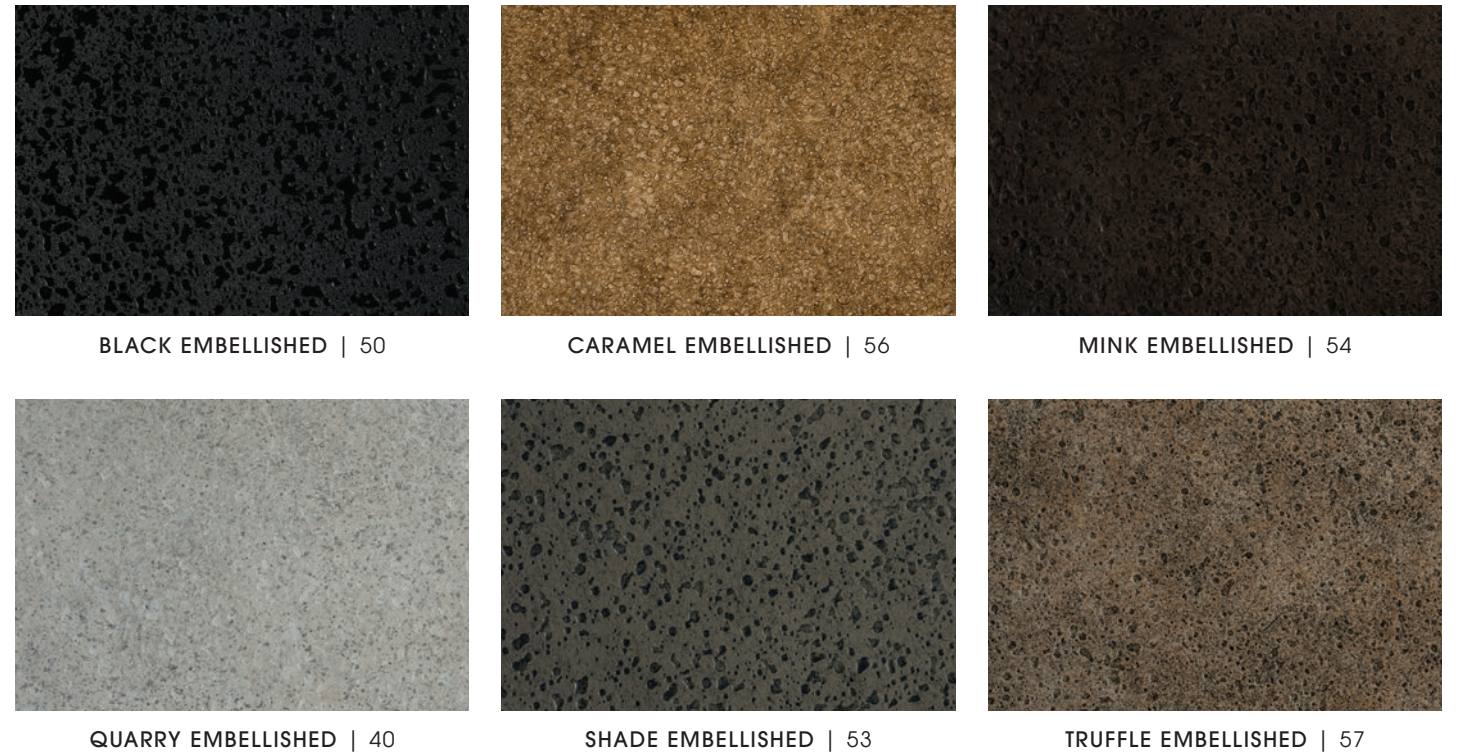
Side panels attach to the side of the two cabinets at the ends of the outdoor kitchen configuration providing a decorative and finished design.



Finishes are shown as accurately as possible.
To order, see actual frame finish samples or call Gensun customer service.

EMBELLISHED FINISHES

Gensun offers 6 scratch resistant embellished finishes that are available on Madrid II, Meridian and Paradise tops, countertops, Fusion and Talia table tops.



STONE IMPRESSION FINISHES

Gensun offers 3 stone impression finishes that are available on Madrid II, Meridian and Paradise tops, countertops, Fusion and Talia table tops. These finishes make solid aluminum look like real stone.



The finishes shown on this page are hand painted and will have some variations in color and texture.

Finishes are shown as accurately as possible.
To order, see actual frame finish samples or call Gensun customer service.

WOOD FINISH

This finish gives the warm look of wood to aluminum without the maintenance. GEN-Teak is only an option for Strata table tops.





CARE & MAINTENANCE

Gensun products are manufactured to give many years of enjoyment. In an effort to help you enjoy the furniture, kitchens and accessories over the years we highly recommend a regular schedule of care and maintenance. Failure to follow these guidelines can void the warranty.

Many fine products to care for the various materials of your furniture are available at your local casual and outdoor furniture dealer or hardware stores. A regular schedule should consist of cleaning the furniture, kitchen cabinets, fabric, woven material and other product materials at least twice a year but can vary due to usage, exposure and weather conditions. Gensun recommends a mild dish soap and warm water for best cleaning results on the metal frames, fabrics and woven material. Cleaning before storage is highly recommended so that any dirt or pollutants will not cause damage during storage. Difficult or stubborn stains on acrylic fabrics can be cleaned with more aggressive solutions – visit the fabric manufacturer websites for more information. Cleaning more often will not harm the high-quality materials used. A premium clear car wax should be applied after every cleaning.

PLEASE NOTE

- The hardware on swivel rockers, swivel rocking lounge & balcony chairs, and swivel bar & balcony stools should be regularly checked to make sure it is tight. Every 6 months or more often depending upon use.
- Weather, especially wind, can damage outdoor furniture. Care should be taken to protect outdoor products in windy conditions. It is always recommended to close umbrellas and privacy screens when not in use. It is also recommended to remove umbrellas from tables and lay umbrellas and privacy screens flat during windy conditions.
- All products should be covered if regularly exposed to the sun and weather conditions.
- Insect repellent (Deet), suntan lotions and harsh cleaners can be harmful to your furniture finish, fabrics and woven material. DO NOT allow any of these products to come in contact with the product as they can cause stains which are not covered under warranty. Gensun approves a mild dish soap and water mixture or 303 Patio Furniture products for cleaning and protecting our products. Other cleaners can void the warranty.
- Extension table slides should be cleaned regularly. Lubricant can also be applied to help the table easily slide.
- Adjustable glides on chairs, table legs, fire tables, etc. are for residential use only. Take special care that these glides are not adjusted to more than 3/16 inch or 0.5 cm of exposed threads as this can cause damage to the glide or leg. Regularly check the glides as they can unscrew when moving products. In commercial use these glides should be firmly tightened at all times. Periodic checks should be performed to confirm that the glides are tight or within the guidelines listed above. The adjustable glides on kitchen cabinet legs should not be adjusted to more than 1 inch or 2.5 cm of exposed thread.
- Cushions are manufactured using premium outdoor materials. These materials can absorb water and will not be damaged if they get wet for a time. However, cushions should not remain wet over a prolonged time as mold or mildew can occur. Protecting cushions from the elements using covers is recommended. If cushions do get wet, open zippers and turn cushion so the zipper is facing down. This will allow moisture to properly drain and protect the cushion from mold, mildew and potential staining.
- Gas fire tables and appliances should be operated with extreme care – especially when lighting the burners. DO NOT light the fire table burner in the high gas setting. Only light the fire table in the low gas setting. Place a lit match on the fire media before turning the gas on. See the appliance instruction manuals for details on proper operation, care and maintenance. DO NOT put the burner cover on until the fire media has cooled as the paint can discolor.

Please make sure that any water that may have accumulated in the tubular extrusions is drained prior to exposure of freezing conditions. Failure to do so can cause water to freeze inside and on materials causing severe damage, tubing to burst, that is not covered under warranty. Furniture should always be stored in a dry area and upright position.



LIMITED RESIDENTIAL WARRANTY

PRODUCT COVERAGE

Gensun warrants to the original purchaser that the products are free from defects in material and workmanship with normal use and regular maintenance. Warranty is to the original owner and starts at date of purchase. Proper care & maintenance must be performed.

- Kitchen cabinets, fire table bases, cast aluminum fire table tops, cast aluminum table tops and kitchen countertops have a (Lifetime) structural warranty.
- Furniture, extruded aluminum tables and fire table tops, table bases and other furniture accessories have a (15) year structural warranty.
- Luxe cushions & slings have a (1) year warranty on the construction and fill materials.
- Dry-Luxe cushions and pillows have a (2) year warranty on the construction and fill materials.
- The paint finish has a (5) year warranty against peeling and blistering.
- Fabrics have a (2) year warranty on material and manufacturing defects.
- Product component parts – burners, hinges, slides, door handles, umbrella frames, glides, hardware, wind screens, covers, wheels, etc. have a (2) year warranty on material and manufacturing defects.
- Woven and strap materials have a (3) year warranty on material and manufacturing defects.
- Appliances are warranted by the respective manufacturer.

Gensun will pay the freight/shipping costs to the authorized retailer of record for replaced product in North America for (1) year from the date of original purchase.

COVERAGE DETAILS

If the product frame or structure fails or if the finish peels or blisters Gensun will, at its' option, repair or replace the frame or part in the original style and finish whenever possible. However, if the original style or finish is no longer available Gensun will substitute product of equal value in a similar style and/or finish. Refer to Gensun's Care & Maintenance for regular and proper product cleaning.

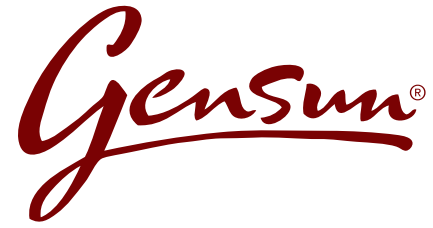
WHAT IS NOT COVERED

This limited warranty does not cover normal fading of the finish, fabric or woven materials. The warranty does not cover shipping damage, damage due to acts of nature, misuse, abuse, stains, hard-water deposits, discoloration due to standing water, product variations up to 0.2 inch, normal wear and tear, consequential and incidental damages, C.O.M. fabrics, normal cushion and sling sag due to use, commercial or institutional use, repaired, altered or refinished products, over tightening hardware and damage due to a lack of regular care and maintenance.

CLAIM PROCEDURE

The warranty claim must be made by the original purchaser through the authorized retailer of record. The product or pictures must be provided, if requested, to Gensun or its' authorized representative. Proof of purchase and return goods authorization are necessary.

Send correspondence to:
Gensun Customer Service Department
9449 8th Street, Rancho Cucamonga, CA 91730
Phone: 909-989-9977
Toll Free: 866-964-4468
customerservice@gensuncasual.com



LIMITED COMMERCIAL WARRANTY

PRODUCT COVERAGE

Gensun warrants to the original purchaser that the products are free from defects in material and workmanship. The product frame and structural components, excluding Knock Down (KD) seating products, warranty lasts for a period of (5) years from the date of original purchase. The product powder coat finish warranty lasts for a period of (2) years from the date of original purchase. The fabrics, cushion-fill materials, glass fire table tops, woven material, fire table burner components, accessories, and parts warranty last for a period of (1) year from the date of original purchase. All appliances are warranted by the respective manufacturer.

COVERAGE DETAILS

If the product frame or structure fails, excluding Knock Down (KD) seating products or if the finish peels or blisters Gensun will, at its' option, repair or replace the frame or part in original style and finish whenever possible. However, if original style or finish is no longer available, Gensun will substitute a product of equal value in similar style and/or finish.

WHAT IS NOT COVERED

This limited warranty does not cover finish fading due to extensive exposure to outdoor elements. The warranty does not cover shipping damage and damage from improper handling, misuse, abuse, acts of nature, hard-water deposits, discoloration due to standing water, normal wear and tear, fading of materials, pitting or chipping, harsh cleaning solutions, sun screen and tanning lotions, freezing, mildew/mold, staining, corrosion, chair and table glide wear, fabric/woven material stretching, consequential and incidental damages, normal cushion sag, C.O.M. fabrics, repaired, altered or refinished products and over tightening hardware. Table/cabinet-top and frame variations up to 0.2 inch are not covered. Damage due to a lack of responsible care and maintenance for the product (especially at indoor pools, seaside use or extreme temperatures) is not covered. Gensun is not liable for freight/shipping costs of returned or replaced product.

*Please note that chair and table glides should be kept firmly tightened. The adjustability function is only for residential use.

CLAIM PROCEDURE

The warranty claim must be made by the original purchaser through the authorized selling agent. The product or pictures must be provided, if requested, to Gensun or its' authorized representative. Proof of purchase and return goods authorization are necessary.

CARE & MAINTENANCE

Please refer to the Care & Maintenance information for proper guidelines regarding all Gensun products. Failure to follow these guidelines can void the warranty. Gensun is not responsible for any other costs; consequential or incidental damages resulting from any defect in the product. This warranty gives you specific legal rights and you may also have other legal rights granted by your state of residence.

Send correspondence to:
Gensun Customer Service Department
9449 8th Street, Rancho Cucamonga, CA 91730
Phone: 909-989-9977
Toll Free: 866-964-4468
customerservice@gensuncasual.com

Photography
Benjamin Swanson

Graphic Design
Jill Trinkley

Design Consultant
Priscilla Trinkley

Print and CGI
Katana

Photography Locations
**To all who let us use your outdoor rooms,
thank you!**

Our Furry Friends
**Thank you to all the pets for bringing a little
cuteness to the photos.**

**Thank you to all Gensun employees who
helped with the soft goods production,
product production and location setup that
brought this catalog to fruition.**

gensuncasual.com

© 2022 Gensun





GENSUN HEADQUARTERS

9449 8th Street | Rancho Cucamonga, CA 91730
866.964.4468

GENSUN ATLANTA SHOWROOM

AmericasMart - Bldg 1 - Suite 4B9 | Atlanta, GA 30303
For appointment: 866.964.4468

GENSUNCASUAL.COM